

Description

The MVD-EV9789-SP605 board is a daughter board for the SP605 Xilinx evaluation board. This pair of boards includes all necessary components for the evaluation of our modulators/TS processing IP Cores

Features

The MVD-EV9789-SP605 board converts an MPEG TS stream into an RF signal and supports most of the digital TV standards (DVB-C, J.83B, DVB-T, ATSC, DVB-S, ...).

It has been developed for the evaluation of our IP cores:

- DVB-C J.83 Annex A/C modulator
- J.83 B cable modulator
- DVB-T/H modulator
- ATSC modulator
- DVB-S modulator
- Remultiplexers 1-to-n, 2-to-1, 2-to-2

MVD-EV9789-SP605 board is "SFN Ready" for optional Single Frequency Networks.

Applications

MVD-EV9789-SP605 board may be used for evaluation of MVD Cores' modulators/TS processing IP cores or as a test equipment for demodulation devices.

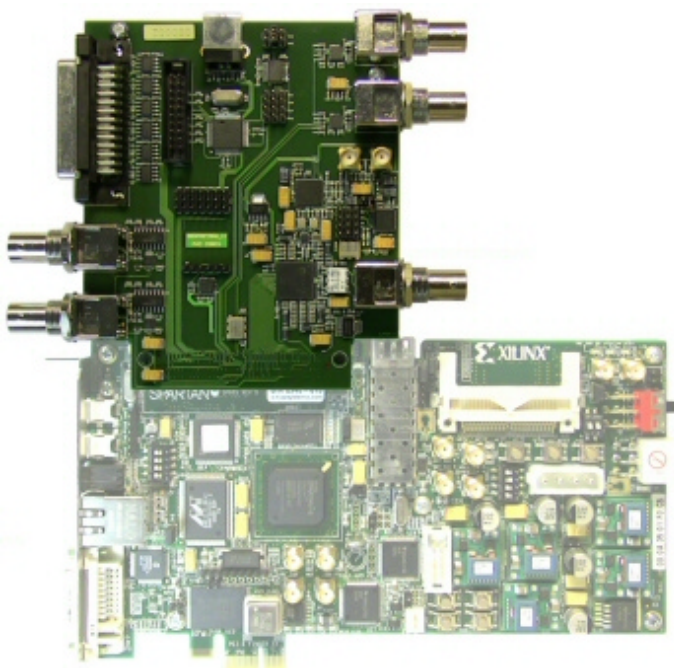
What's included

- MVD-EV9789-SP605 board
- Documentation
 - Hardware setup guide
 - Schematics and PCB filesInformation you need to accelerate layout and development of your own board.

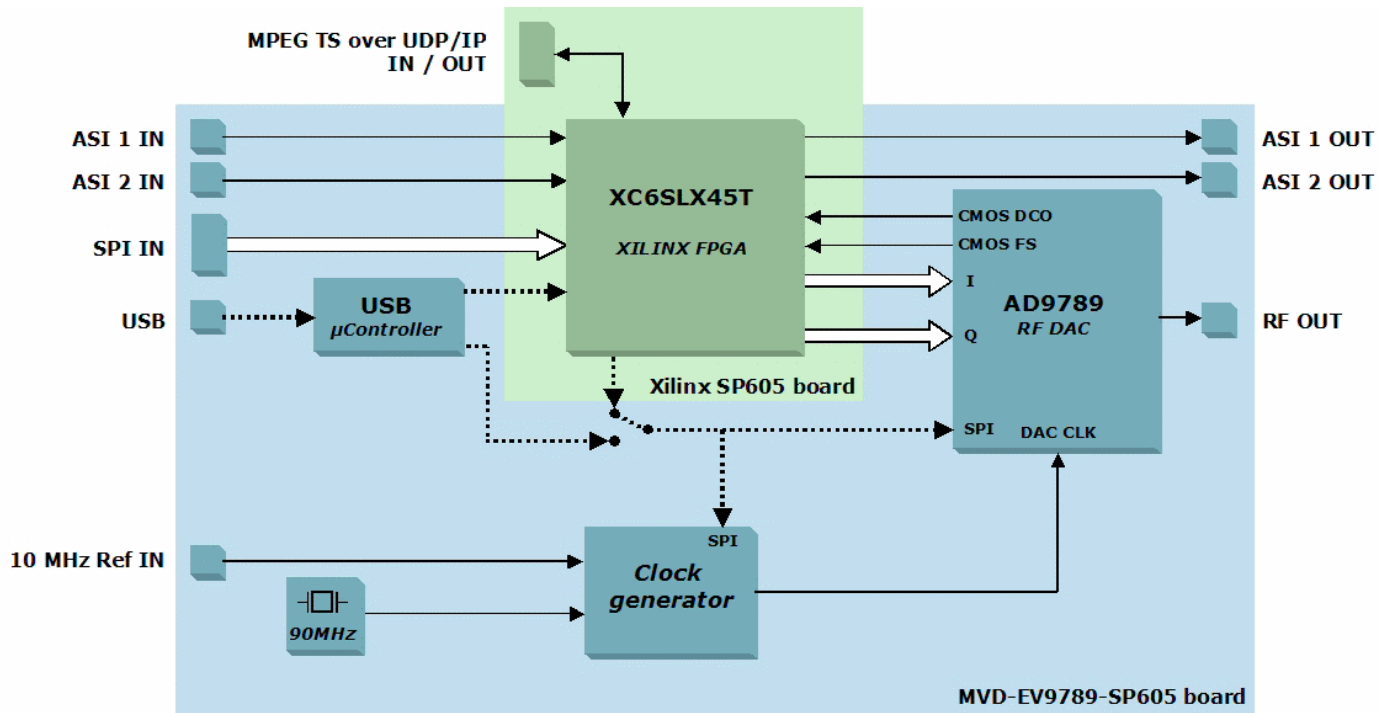
Xilinx SP605 board is not included.

Inputs/Outputs

- FMC connector to connect to Xilinx SP605 evaluation board
- 1 x USB input for cores configuration
- 1 x 10 MHz Clock Ref input (SMA connector)
- 1 x SPI (Synchronous Parallel Interface) TS input (Female DB-25 connector)
- 2 x ASI (Asynchronous Serial Interface) TS inputs (BNC connectors)
- 2 x ASI (Asynchronous Serial Interface) TS outputs (BNC connectors)
- 1 x MPEG TS over UDP/IP input/output (RJ45 connector on Xilinx SP605 board)
- 1x IF/RF output (36 MHz to 1 GHz) (BNC connector)



Block-diagram



Ordering information

Designation
MVD-EV9789-SP605

MVD-EV9789-SP605 operates with a *Xilinx SP605* evaluation board which is not supplied by MVD Cores. Xilinx SP605 evaluation board is available from XILINX at <http://www.xilinx.com> .