

## Description

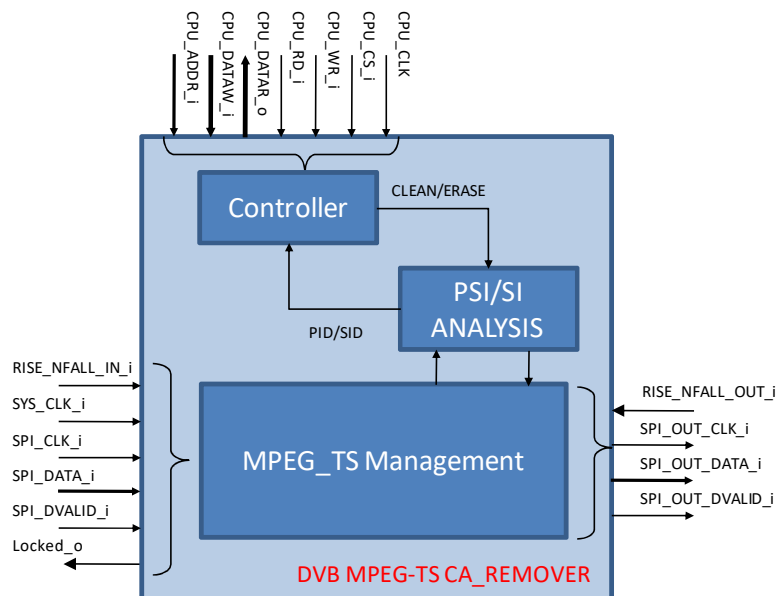
The MVD DVB CA REMOVER core allows to clear conditional access information from one or all services of an MPEG-TS stream.

## Applications

The MVD DVB CA\_REMOVER core can be used to clear one or all services of MPEG-TS stream in the case where the CA descrambler does not manage conditional access information but only payload decryption.

## Features

- Drop-in module for Spartan™-6, Virtex™-6, 7 Series and later FPGAs
- DVB compliant
- Auto adaptative and real time PSI/SI analysis and management
- Manage up to 124 services and all PID values
- Ability to filter CAT and associated EMM
- Remove PMT CA descriptor and associated ECM
- Erase CA Flag in SDT for the concerned services
- Erase CA Flag for all event in EIT for the concerned services
- Erase CA encryption bit in the packet header of the concerned elementary stream packets
- Regeneration of all CRC's tables
- Descrambling part is not ensure by CA\_REMOVER but DVB\_CSA descrambling core (please contact MVD Cores)
- Full synthesizable RTL VHDL design (not delivered) for easy customization
- Design delivered as Netlist



## Resource Utilization

	Slices	LUTs	BRAMs (18k)	Mults/DSP48	BUFG
Spartan-6	550	1460	3	0	1
7-Series	550	1460	3	0	1

## Ordering information and related cores

Designation
MVD_DVB-CA_REMOVER_NET

**VHDL source code** : can be delivered as an option under NDA and other specific clauses.

**Related cores** : Cable Modulator J83B, DVB-C, DVB-S, DVB-T/H, DVB-T2, DVB Remultiplexer and/or ASI interface cores, contact us.