



Description

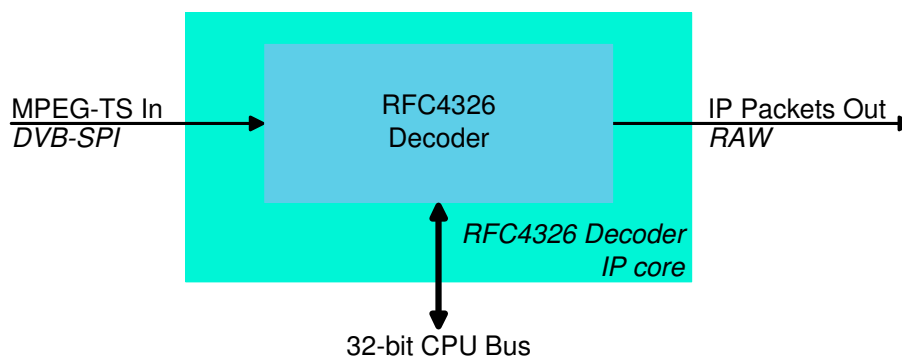
The IP over DVB (RFC4326) Decoder IP core allows to extract IP packets from user MPEG-2 TS according to RFC4326 standard (Unidirectional Lightweight Encapsulation)..

Applications

Transportation of network layer packets over digital television system (DVB-T, DVB-S, DVB-C, ...).

Features

- Drop-in module for Spartan™-6, Virtex™-6, Artix™-7, Kintex™-7, Virtex™-7 FPGAs and Zynq™
- TS Frame de-encapsulation
- Automatic PAT/PMT analysis and Payload recovery
- ETR 101209 Alarms (continuity count error, locked length)
- Full synthesizable RTL VHDL design (not delivered) for easy customization
- Design delivered as Netlist



Resource Utilization

	Slices	BRAMs (18k)	DSP48	BUFG
Spartan-6	520	10	0	1
7 Series	450	10	0	1

Ordering information and related cores

Designation
MVD_RFC4326_DECODER_CPU_NET

VHDL source code: Can be delivered as an option under NDA and other specific clauses.

Related cores: Cable Modulator J83B, DVB-C, DVB-S, DVB-T/H, DVB-T2, DVB Remultiplexer and/or ASI interface cores, contact us.

Documentation and support: Datasheet and user's guide. In addition MVD can provide on site or remote coaching.