



Description

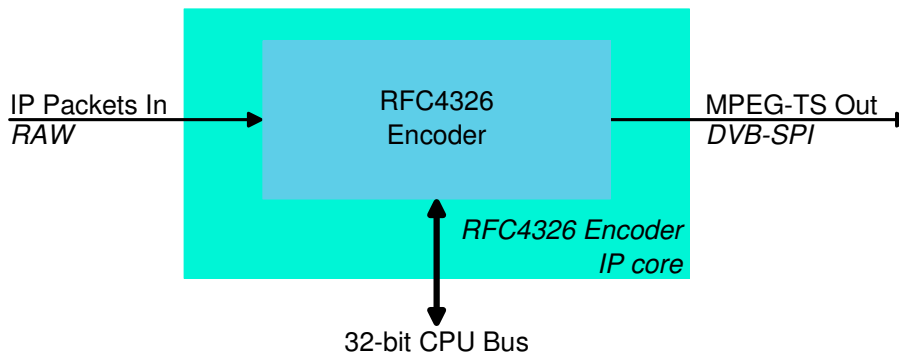
The IP over DVB (RFC4326) Encoder IP core allows to insert IP packets into user MPEG-2 TS according to RFC4326 standard (Unidirectional Lightweight Encapsulation).

Applications

Transportation of network layer packets over digital television system (DVB-T, DVB-S, DVB-C, ...).

Features

- Drop-in module for Spartan™-6, Virtex™-6, Artix™-7, Kintex™-7, Virtex™-7 FPGAs and Zynq™
- IP Packets encapsulation in TS frame in completion or no completion mode
- Output in 188 or 204 byte CBR mode (with RS188/204 encoded byte)
- PAT/PMT generation
- Custom PID for PMT and PAYLOAD frames
- Custom PSI generation delay
- Configurable output rate
- Full synthesizable RTL VHDL design (not delivered) for easy customization
- Design delivered as Netlist



Resource Utilization

	Slices	BRAMs (18k)	DSP48	BUFG
Spartan-6	950	30	0	1
7 Series	900	30	0	1

Ordering information and related cores

Designation
MVD_RFC4326_ENCODER_CPU_NET

VHDL source code: Can be delivered as an option under NDA and other specific clauses.

Related cores: Cable Modulator J83B, DVB-C, DVB-S, DVB-T/H, DVB-T2, DVB Remultiplexer and/or ASI interface cores, contact us.

Documentation and support: Datasheet and user's guide. In addition MVD can provide on site or remote coaching.