



Features

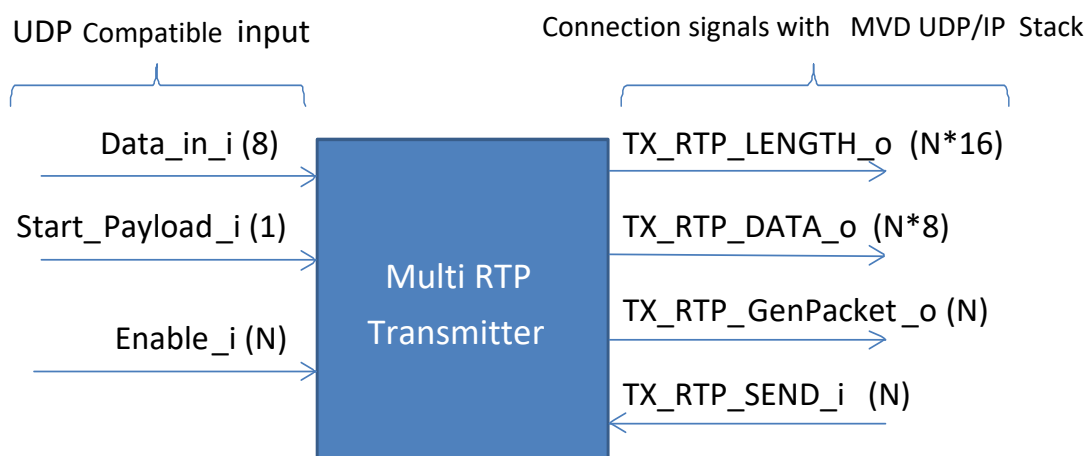
- Drop-in module for Spartan™-6, Virtex™-7, Artix™-7, Kintex™-7 and Zynq™ Xilinx FPGAs
- Companion core of the UDP/IP Stack
- MVD UDP/IP Stack is mandatory to use this core
- RTPv2 encapsulation
- Supports only MPEG-TS payload Type
- From 1 to 7 MPEG-TS Packet per UDP / RTP Packets (configurable)
- Can support from 4 to 32 independent RTP Channels
- Possibility to bypass RTP Encapsulation to perform simple UDP Encapsulation for application which requires only UDP Transmissions
- Netlist version available for ISE and VIVADO

Description

- The MVD Multi-RTP transmitter allows the transmission of several RTP streams on an Ethernet Network.
- MVD UDP/IP Stack is mandatory for using MVD Multi-RTP Transmitter.
- The maximum number of RTP output channels depends on FPGA resources, input bit rate and Ethernet speed connection.

Applications

MVD Multi-RTP transmitter is especially developed to transmit several MPEG-TS RTP Stream on a routed network.



Resource Estimation

The core configuration can be set by conditional synthesis (depending on the number of needed channels) to optimize FPGA resources.

For N Channels	Slices	BRAM 18k	DSP48
Spartan-6 / 7-Series	80*N+30	2*N	0

Ordering information and related cores

Designation
MVD_MULTI_RTP_TX_NET

VHDL source code: can be delivered as an option under NDA and other specific clauses

Related cores: MVD DVB Remultiplexers, MVD Modulators, ASI receiver, MVD DVB Demux_1_N, etc.
Contact us at info_cores@mvd-fpga.com

Documentation and support: Datasheet. In addition MVD can provide on site or remote coaching.